

ROCKET18

18" 3200W WOOFER



General Specifications

Nominal Basket Diameter	457 mm / 18 inch
Rated Impedance	8 ohm
Rated Power Handling	1600 Watts
Program Power	3200 Watts
Sensitivity	96.8 dB
Frequency Range	38 hz - 1800 hz
Magnet	150 Oz 250x140x25 mm / 9.8x5.5x1 inch
Minimum Impedance	5.1 ohm
Voice Coil Diameter	115 mm / 4.5 inch
Voice Coil Material	Fiberglass
Voice Coil Length	25 mm / 1 inch
Number of Layers	2
Kind of Layers	inside/outside
Top Plate Thickness	15 mm / 0.59 inch
Cone Material	Carbon Fiber

Thiele - Small Parameters

Resonance Frequency	fs	38 hz
DC Resistance	Re	6.8 ohm
Mechanical Factor	Qms	3.3
Electrical Factor	Qes	0.45
Total Factor	Qts	0.35
BL Factor	BL	26 T - m
Effective Moving Mass	Mms	196 gr
Equivalent Cas Air Load	Vas	243 liters
Effective Piston Area	Sd	0.123 M ²
Maximum Linear Excursion	Xmax	9 mm
Half-Space Efficiency	Eff	2.2 %

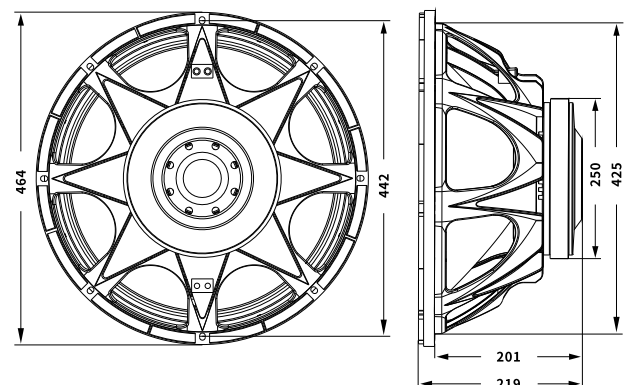
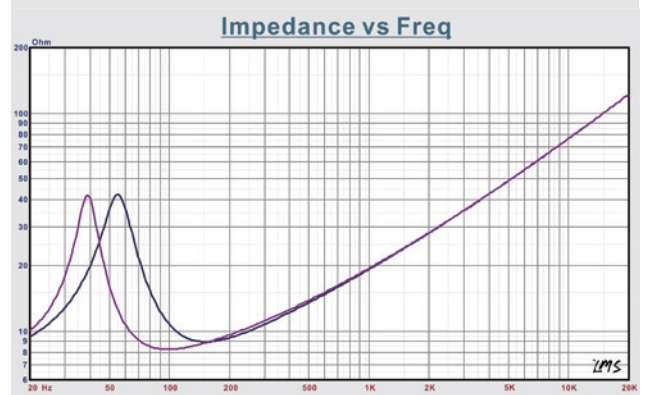
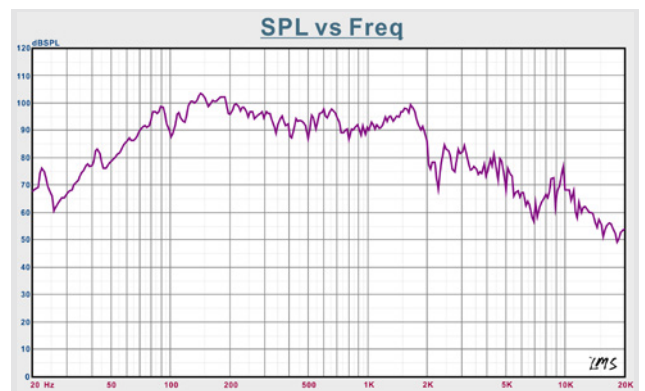
Mounting Information

Overall Diameter	464 mm / 18.26 inch
Bolt Circle Diameter	440-447 mm / 17.3-17.6 inch
Bolt Hole Diameter	6.5 mm / 0.25 inch
Front Mount Baffle Cut-Out	425 mm / 16.7 inch
Rear Mount Baffle Cut-Out	425 mm / 16.7 inch
Depth	201 mm / 7.9 inch

Physical Information

Net Weight	17.5 Kg / 38.6 Lbs
Shipping Weight	18.8 Kg / 41.4 Lbs
Dimension (WxDXH)	510x510x280 mm / 20x20x11 inch

ROCKET



All specifications are subject to change without notice.