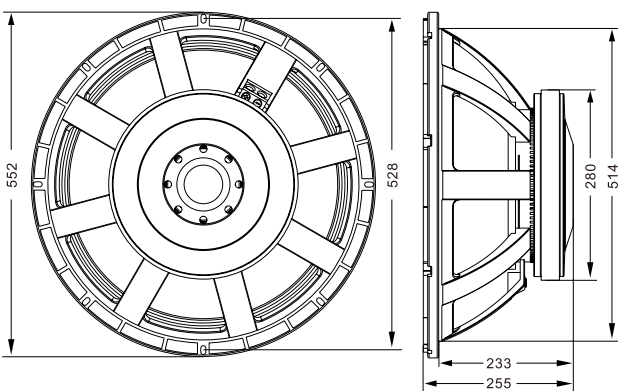
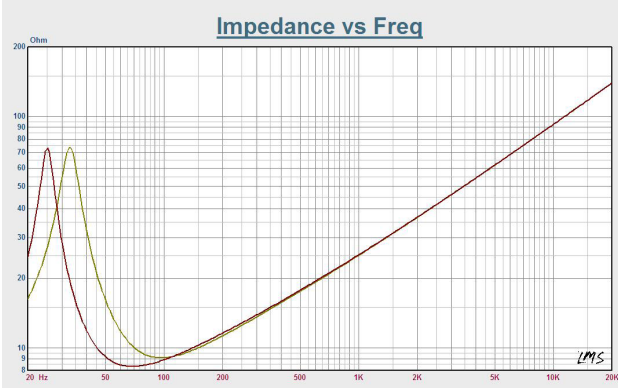
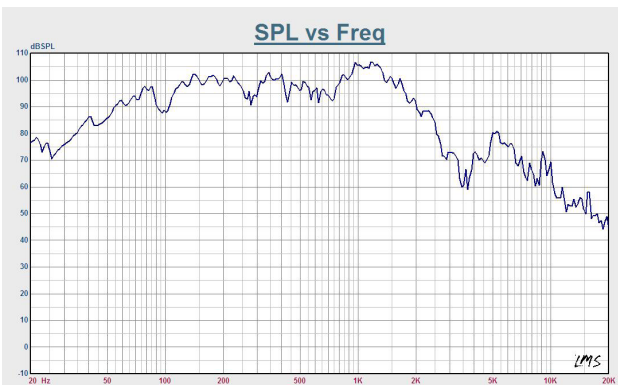


# PROFILE21

## 21" 4000W WOOFER



**PROFILE**  
WOOFERS



All specifications are subject to change without notice.

### General Specifications

Nominal Basket Diameter	533 mm / 21 inch
Rated Impedance	8 ohm
Rated Power Handling	2000 Watts
Program Power	4000 Watts
Sensitivity	97.2 dB
Frequency Range	32 hz - 1500 hz
Magnet	200 Oz 280x140x25 mm / 11x5.5x1 inch
Minimum Impedance	5.3 ohm
Voice Coil Diameter	127 mm / 5 inch
Voice Coil Material	Fiberglass
Voice Coil Length	25 mm / 1 inch
Number of Layers	2
Kind of Layers	inside/outside
Top Plate Thickness	15 mm / 0.59 inch

### Thiele - Small Parameters

Resonance Frequency	$f_s$	32 hz
DC Resistance	$R_e$	5.3 ohm
Mechanical Factor	$Q_{ms}$	5.04
Electrical Factor	$Q_{es}$	0.4
Total Factor	$Q_{ts}$	0.37
BL Factor	$BL$	32.4 T - m
Effective Moving Mass	$M_{ms}$	278.8 gr
Equivalent Cas Air Load	$V_{as}$	289.6 liters
Effective Piston Area	$S_d$	0.123 M <sup>2</sup>
Maximum Linear Excursion	$X_{max}$	9 mm
Half-Space Efficiency	$Eff$	2.2 %

### Mounting Information

Overall Diameter	552 mm / 21.73 inch
Bolt Circle Diameter	527 mm / 20.7 inch
Bolt Hole Diameter	6.5 mm / 0.25 inch
Front Mount Baffle Cut-Out	512 mm / 20.16 inch
Rear Mount Baffle Cut-Out	512 mm / 20.16 inch
Depth	230 mm / 9.05 inch

### Physical Information

Net Weight	22.8 Kg / 50.3 Lbs
Shipping Weight	25.4 Kg / 56 Lbs
Dimension (WxDXH)	610x610x330 mm / 24x24x13 inch