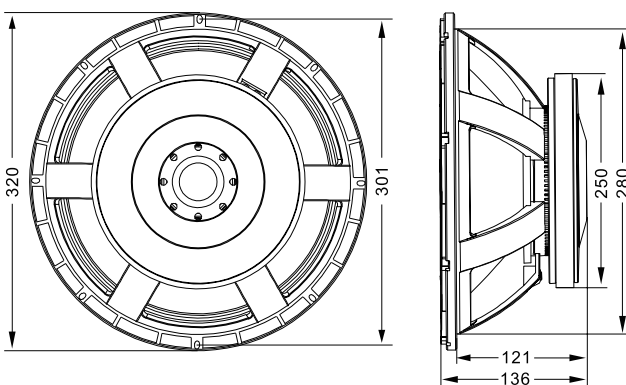
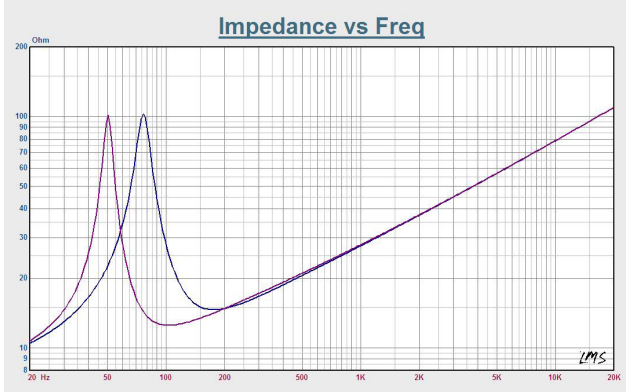
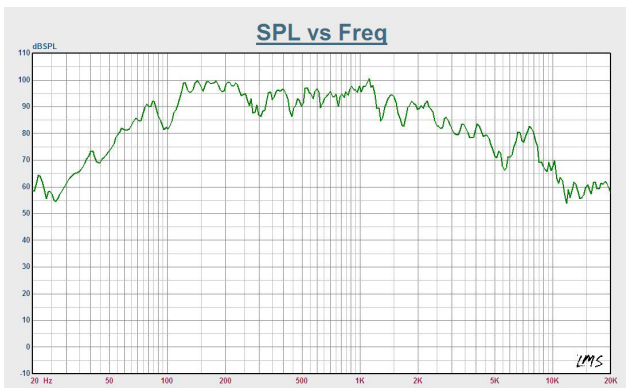


PROFILE12

12" 1600W WOOFER



PROFILE
WOOFERS



All specifications are subject to change without notice.

General Specifications

Nominal Basket Diameter	305 mm / 12 inch
Rated Impedance	8 ohm
Rated Power Handling	800 Watts
Program Power	1600 Watts
Sensitivity	95.6 dB
Frequency Range	70 hz - 1500 hz
Magnet	150 Oz 250x140x25 mm / 9.8x5.5x1 inch
Minimum Impedance	5.8 ohm
Voice Coil Diameter	99.2 mm / 4 inch
Voice Coil Material	Fiberglass
Voice Coil Length	21 mm / 0.7 inch
Number of Layers	2
Kind of Layers	inside/outside
Top Plate Thickness	15 mm / 0.59 inch

Thiele - Small Parameters

Resonance Frequency	f_s	70 hz
DC Resistance	R_e	5.8 ohm
Mechanical Factor	Q_{ms}	6.04
Electrical Factor	Q_{es}	0.4
Total Factor	Q_{ts}	0.38
BL Factor	BL	28 T - m
Effective Moving Mass	M_{ms}	151 gr
Equivalent Cas Air Load	V_{as}	157 liters
Effective Piston Area	S_d	0.122 M ²
Maximum Linear Excursion	X_{max}	7 mm
Half-Space Efficiency	Eff	2.4 %

Mounting Information

Overall Diameter	320 mm / 12.6 inch
Bolt Circle Diameter	293-304 mm / 11.5-12 inch
Bolt Hole Diameter	6.5 mm / 0.25 inch
Front Mount Baffle Cut-Out	280 mm / 11 inch
Rear Mount Baffle Cut-Out	280 mm / 11 inch
Depth	145 mm / 5.7 inch

Physical Information

Net Weight	15.4 Kg / 34 Lbs
Shipping Weight	18.3 Kg / 40.3 Lbs
Dimension (WxDXH)	370x370x200 mm 14.5x14.5x7.9 inch