

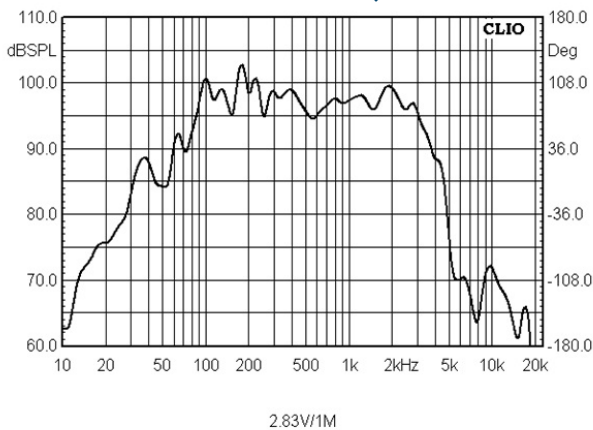
BLAST515

15" 1000W SPEAKER

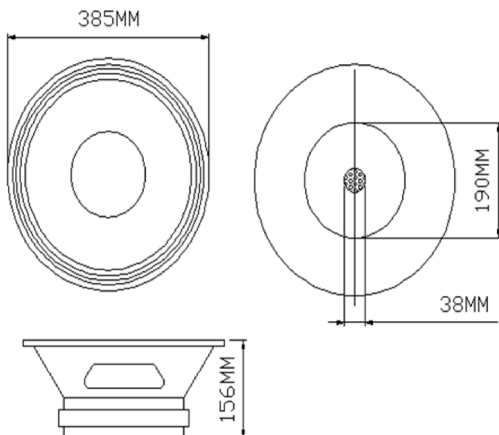
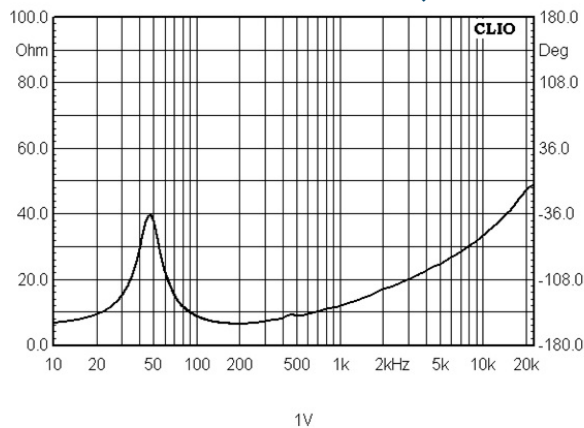


DESIGNED IN USA

SPL vs FREQ



IMPEDANCE vs FREQ



General Specifications

Nominal Basket Diameter	385 mm / 15 inch
Rated Impedance	8 ohm
Rated Power Handling	500 Watts
Program Power	1000 Watts
Sensitivity	97 dB
Frequency Range	45 hz - 3 KHz
Magnet	80 Oz 190x85x20 mm / 7.5x3.3x0.8 inch
Effective Piston Diameter	330 mm / 13 inch
Minimum Impedance	5.3 ohm
Voice Coil Diameter	76.5 mm / 3 inch
Voice Coil Material	Aluminum

Thiele - Small Parameters

Resonance Frequency	fs	47 hz
DC Resistance	re	5.3 ohm
Mechanical Factor	Qms	3.3
Electrical Factor	Qes	0.5
Total Factor	Qts	0.44
BL Factor	BL	15 T - m
Effective Moving Mass	Mms	75 gr
Equivalent Cas Air Load	Vas	150 liters
Maximum Linear Excursion	Xmax	3.5 mm
Voice Coil Inductance @ 1kHz	La1k	0.83 mH

Mounting Information

Overall Diameter	385 mm / 15.15 inch
Bolt Circle Diameter	370 mm / 14.566 inch
Bolt Hole Diameter	8.8x6.3 mm / 0.346x0.248 inch
Baffle Hole Diameter	354 mm / 13.93 inch
Depth	146 mm / 5.75 inch

Physical Information

Net Weight	7.25 Kg / 16 Lbs
------------	------------------

All specifications are subject to change without notice.