

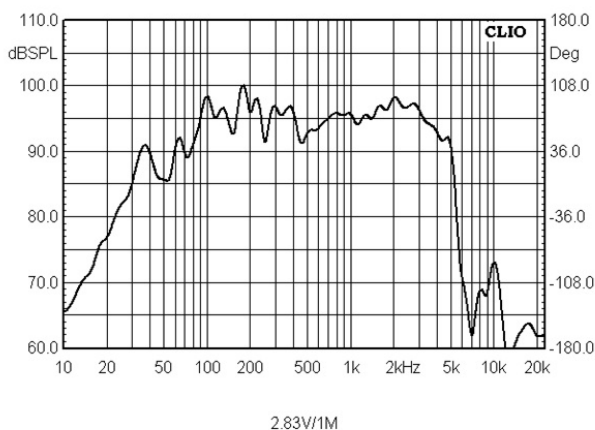
BLAST415

15" 850W SPEAKER

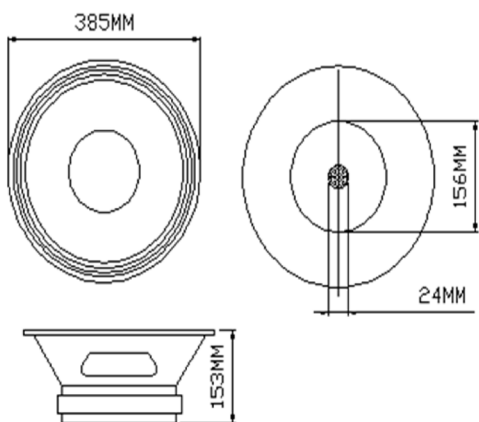
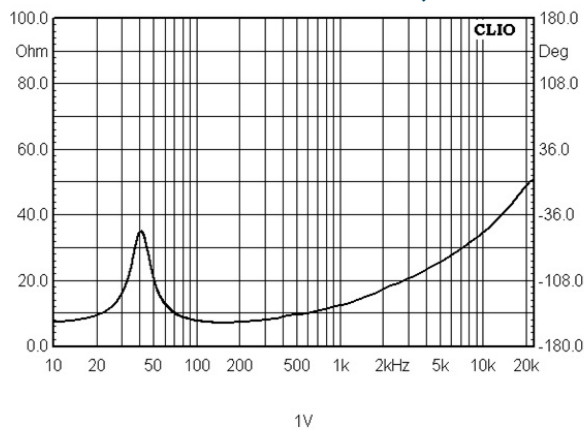



DESIGNED IN USA

SPL vs FREQ



IMPEDANCE vs FREQ



General Specifications

Nominal Basket Diameter	385 mm / 15 inch
Rated Impedance	8 ohm
Rated Power Handling	425 Watts
Program Power	850 Watts
Sensitivity	93.6 dB
Frequency Range	40 hz - 3.5 KHz
Magnet	56 Oz 156x80x20 mm / 6.1x3.1x0.8 inch
Effective Piston Diameter	330 mm / 13 inch
Minimum Impedance	6.3 ohm
Voice Coil Diameter	60.6 mm / 2.4 inch
Voice Coil Material	Aluminum

Thiele - Small Parameters

Resonance Frequency	f_s	40 hz
DC Resistance	r_e	6.3 ohm
Mechanical Factor	Q_{ms}	3.5
Electrical Factor	Q_{es}	0.78
Total Factor	Q_{ts}	0.64
BL Factor	BL	13.7 T - m
Effective Moving Mass	M_{ms}	92 gr
Equivalent Cas Air Load	V_{as}	170 liters
Maximum Linear Excursion	X_{max}	3.1 mm
Voice Coil Inductance @ 1kHz	L_{a1k}	0.83 mH

Mounting Information

Overall Diameter	385 mm / 15.15 inch
Bolt Circle Diameter	370 mm / 14.566 inch
Bolt Hole Diameter	8.8x6.3 mm / 0.346x0.248 inch
Baffle Hole Diameter	280 mm / 11.02 inch
Depth	126 mm / 4.96 inch

Physical Information

Net Weight	4.6 Kg / 10.14 Lbs
------------	--------------------

All specifications are subject to change without notice.