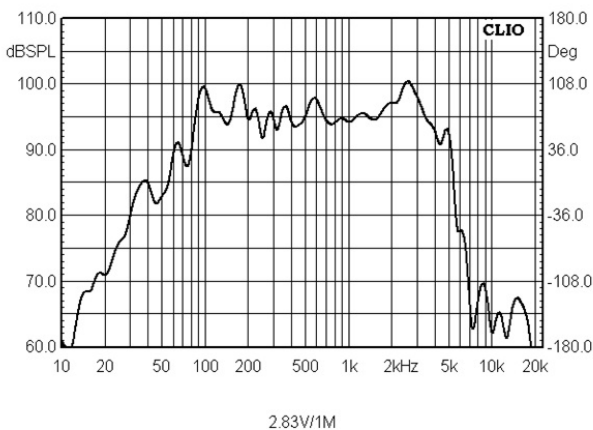


BLAST412

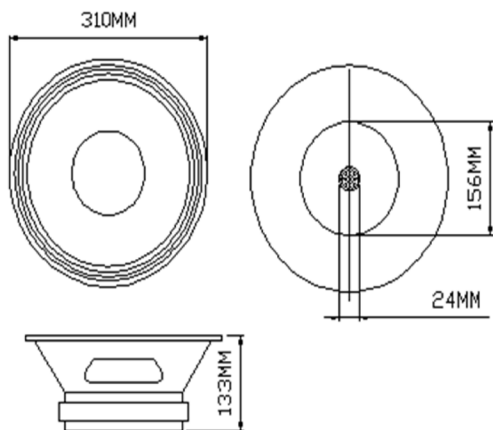
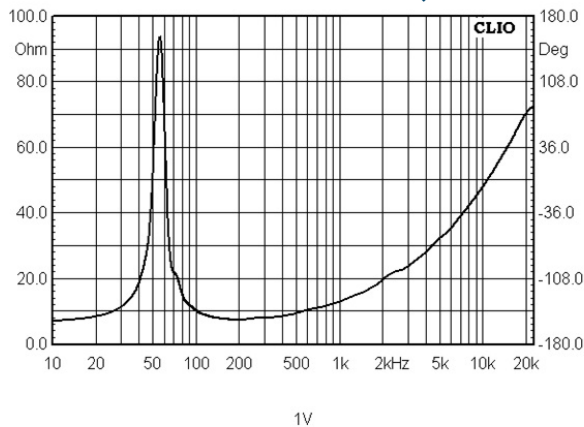
12" 850W SPEAKER



SPL vs FREQ



IMPEDANCE vs FREQ



General Specifications

Nominal Basket Diameter	310 mm / 12 inch
Rated Impedance	8 ohm
Rated Power Handling	425 Watts
Program Power	850 Watts
Sensitivity	94 dB
Frequency Range	55 hz - 4 KHz
Magnet	56 Oz 156x80x20 mm / 6.1x3.1x0.8 inch
Effective Piston Diameter	258 mm / 10.1 inch
Minimum Impedance	6.3 ohm
Voice Coil Diameter	60.6 mm / 2.4 inch
Voice Coil Material	Kapton

Thiele - Small Parameters

Resonance Frequency	fs	56 hz
DC Resistance	re	6.3 ohm
Mechanical Factor	Qms	10.5
Electrical Factor	Qes	0.75
Total Factor	Qts	0.7
BL Factor	BL	11.7 T - m
Effective Moving Mass	Mms	47 gr
Equivalent Cas Air Load	Vas	68 liters
Maximum Linear Excursion	Xmax	3.19 mm
Voice Coil Inductance @ 1kHz	La1k	1.04 mH

Mounting Information

Overall Diameter	310 mm / 12.2 inch
Bolt Circle Diameter	298 mm / 11.73 inch
Bolt Hole Diameter	7.5x6 mm / 0.295x0.336 inch
Baffle Hole Diameter	280 mm / 11.02 inch
Depth	126 mm / 4.96 inch

Physical Information

Net Weight	4.6 Kg / 10.14 Lbs
------------	--------------------

All specifications are subject to change without notice.